

TR3135

7W Track Light



Description

Compact Size;
350D Rotate & 160D Tilt;
Built-in driver;

Finish

Black/White/Gold/Bronze

Material

Aluminium



TECHNICAL CHARACTERISTICS

Light source

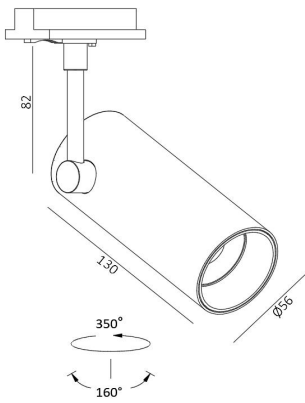
Light source: Citizen CLU02Q-1202
Output (W): (180mA 36V)6.5W
Total power consumption (W): 7W
Color temperature: 2700K/3000K/4000K
CRI: 90
Photobiological risk: RG1
Real Lumen: lm
Qty Leds: 1
Lm/Real W: 75
Life Time: 50.000h L90B10
MacAdam steps: 3
UGR: 19

Gear

This product is supplied with gear
Built-in ACTEC Triac dim driver MINI-8-180T

Luminaire

IP21 for indoor using
crossing: No
Warranty: 5 Years



**LIGHT DISTRIBUTION for 3000K
medium 39°**

h(m)	E(lx)	Ø(m)
1	1849	Ø0.71
2	462.1	Ø1.42
3	205.4	Ø2.13
4	115.5	Ø2.85
5	73.94	Ø3.56

Photometric 3000K 36D Ra.90

The photograph may not match the reference exactly. Please read the product description to identify the finish.